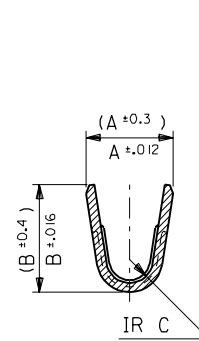
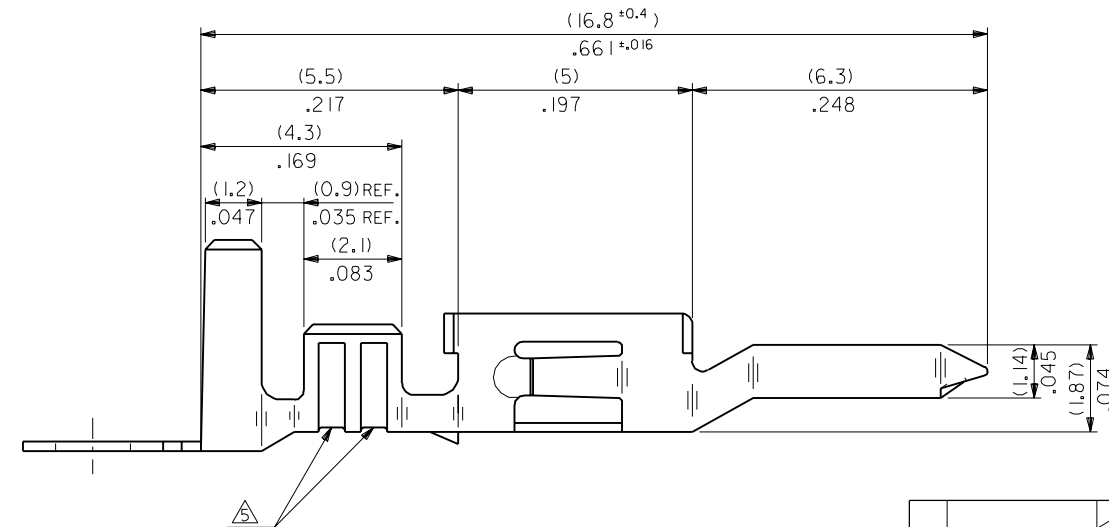
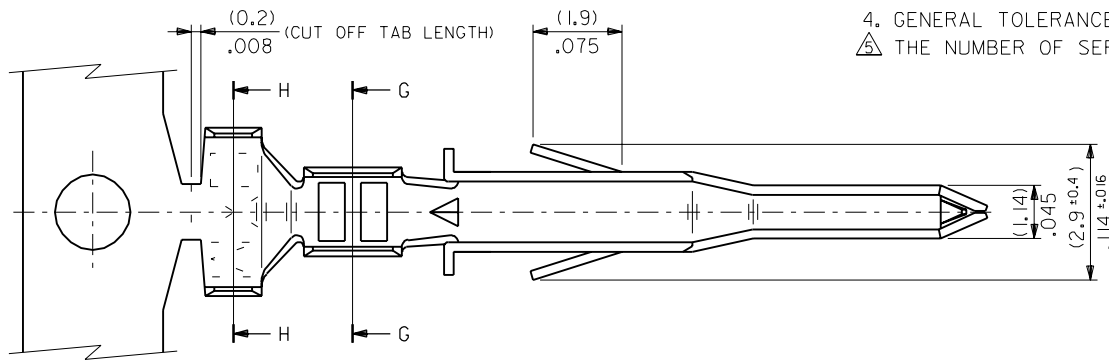
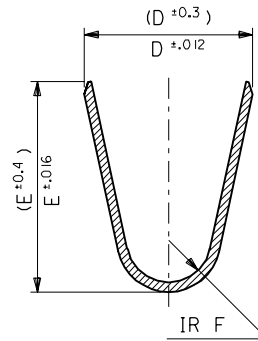


NOTES

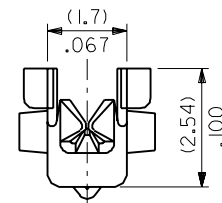
1. APPLICABLE HOUSING : 5559 SERIES
2. MATES WITH TERMINAL : 5556 SERIES
3. (METRIC) VALUES SHOWN GOVERN OVER ENGLISH CONVERSION VALUES.
4. GENERAL TOLERANCES OF ENGLISH CONVERSION VALUES : ±.008 INCH
- △ THE NUMBER OF SERRATIONS TO BE ONE FOR WIRE RANGE #22-28.



SECT. G-G



SECT. H-H



		材料 MATERIAL		SEE SHEET 2 OF 2	MOLEX-MOLEX-JAPAN CO.,LTD. 日本モレックス株式会社	
K	REVISED (JC90012)	Y.K. S.K.	'98/7/6	仕上げ FINISH	SEE SHEET 2 OF 2	EDP. NO. SEE SHEET 2 OF 2
J	REVISED (JC80619)	Y.K. S.K.	'98/5/6	適用電線範囲 WIRE RANGE	SEE SHEET 2 OF 2	ENG. NO. SHEET 1 OF 2 SD-5558*****
H	REVISED (J20428)	H.H. Y.Y.	'92/5/20	被覆外径 INS. RANGE	SEE SHEET 2 OF 2	TITLE 名称 NEW MINI. FIT CONN. CRIMP PIN
G	REVISED (J10381)	H.H. Y.Y.	'91/6/25	DRAWN BY '91/3/12 H.HIRAMOTO	CHK'D BY '98/7/7 K.T.S.KUNISHI	
F	REVISED & REDRAWN (J10202)	H.H. Y.Y.	'91/4/27	APP'D BY '98/7/7 M.FUKUSHIMA	尺度 SCALE 10 - 1	K
角度 ANGLE		±3°		REVISION RECORD		
30 以上 OVER		+0.3		記号 LTR	変更内容	DR. 日付
10 以上 30 未満 OVER UNDER		+0.25		REVISION RECORD		DATE
10 未満 UNDER		+0.2		DR. CHK.		
一般公差 GENERAL TOLERANCES		REVISE ONLY ON CAD SYSTEM				

ENG. NO SD-5558***** SHEET 2 OF 2

EDP NO. SEE CHART

MM DIMENSIONS IN METRIC DO NOT SCALE DRAWING

8

7

6

5

4

3

2

1

F

E

D

C

B

TIN PLATED PHOSPHOR BRONZE	(0.9) .035	(4.5) .177	(3.6) .142	(0.6) .024	(2.7) .106	(2.3) .091	∅ (3.1) .122 MAX.	# 16	39-00-0084	5558 PBT3L	LOOSE
	(0.6) .024	(2.3) .091	(2.3) .091	(0.4) .016	(1.65) .065	(1.8) .071	∅ (0.9-1.8) .035-.071	#22-28	-0083	PBT3	CHAIN
	(0.9) .035	(4.5) .177	(3.6) .142	(0.5) .020	(2.3) .091	(1.9) .075	∅ (1.3-3.1) .051-.122	# 18-24	-0068	PBT2L	LOOSE
TIN OVER COPPER PLATED BRASS	(0.6) .024	(2.3) .091	(2.3) .091	(0.4) .016	(1.65) .065	(1.8) .071	∅ (0.9-1.8) .035-.071	#22-28	-0067	PBT2	CHAIN
	(0.9) .035	(4.5) .177	(3.6) .142	(0.5) .020	(2.3) .091	(1.9) .075	∅ (1.3-3.1) .051-.122	# 18-24	-0062	PBTL	LOOSE
	(0.9) .035	(4.5) .177	(3.6) .142	(0.6) .024	(2.7) .106	(2.3) .091	∅ (3.1) .122 MAX.	# 16	-0061	PBT	CHAIN
MATERIAL	F	E	D	C	B	A	INS. RANGE	WIRE RANGE	EDP NO.	ENG. NO.	FORM

材料 MATERIAL	SEE CHART	moLEX MOLEX-JAPAN CO.,LTD. 日本モレックス株式会社
THICKNESS : (0.203)/.008		
仕上げ FINISH	SEE CHART	EDP. NO.
適用電線範囲 WIRE RANGE	SEE CHART	SEE CHART
被覆外径 INS. RANGE	SEE CHART	ENG. NO. SHEET 2 OF 2 REV SD-5558**** K
DRAWN BY 9/3/02 H.HIRAMOTO	CHK'D BY 9/7/02 K.T.S.KUNISHI	TITLE 名称 NEW MINI. FIT CONN. CRIMP PIN
APP'D BY 9/7/02 M.FUKUSHIMA	尺度 SCALE 10 - 1	

角度 ANGLE	+3°
30 以上 OVER	+0.3
10 以上 30 未満 UNDER	+0.25
10 未満 UNDER	+0.2
一般公差 GENERAL TOLERANCES	

REVISION RECORD

記号 LTR	変更内容 REVISION RECORD	日付 DATE
-----------	-------------------------	------------

THIS DRAWING CONTAINS INFORMATION THAT IS PROPRIETARY TO MOLEX(JAPAN) AND SHOULD NOT BE USED WITHOUT WRITTEN PERMISSION
本図面は日本モレックス(株)の所有する情報を含むので 当社の許可なく複製を禁止する。 MXJ-8

5558.S32 A